

VILPE ECo Potentiometer



Potentiometer for VILPE ECo and ECo FLOW roof fans

The VILPE ECo Potentiometer allows you to manually control a roof fan in active use, e.g. a radon fan. The potentiometer controls the speed of the roof fan motor in, for instance, warehouses, elevator spaces and stairways. Can be used together with an EC roof fan.

The adjustable voltage signal for the potentiometer is 0-10 V. The stepless controlling mechanism facilitates the control of the roof fan because the roof fan can be adjusted to work at a specific air flow. The product allows roof fan control in buildings without Building Automation Systems (BAS).

The potentiometer is dust and water proof and can be installed both indoors as well as outdoors. The potentiometer can, for example, be installed on the surface of the roof fan. IP65.

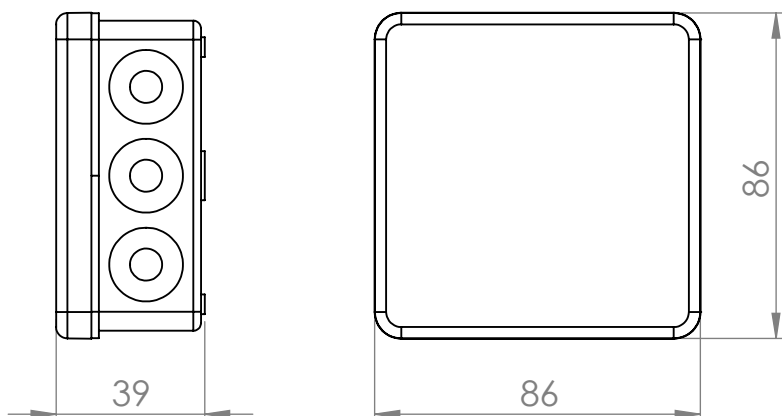
Install and forget: when you have installed and adjusted the potentiometer you can rest assured that it will control the roof fan to work at an optimal level. The warranty period for the potentiometer is two years.

The potentiometer uses a voltage signal +10 V from the roof fan.

› VILPE.COM



Measures

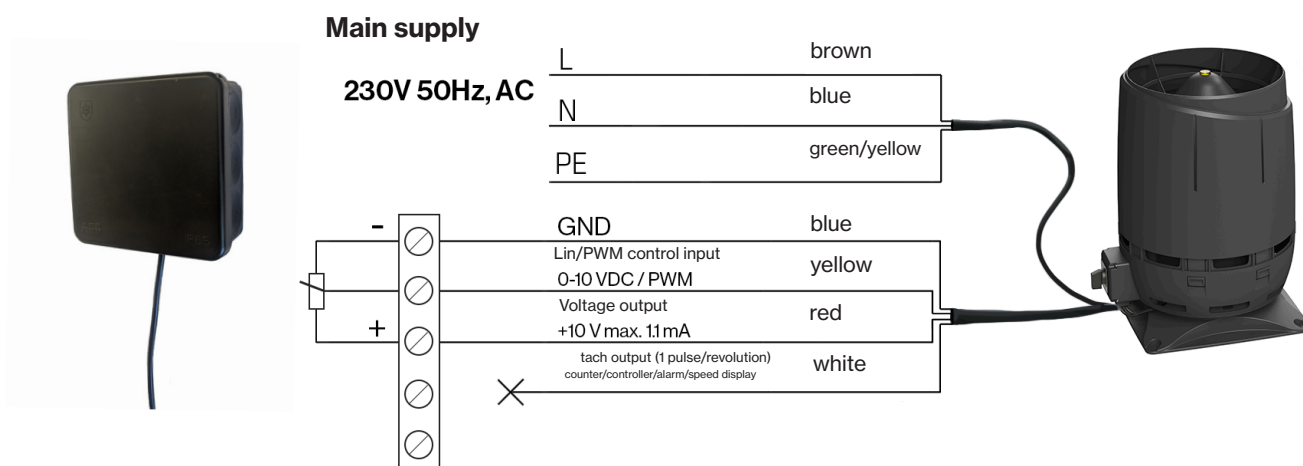


Properties

- Voltage signal: 0-10 V
- IP rating: IP65
- Installation on surface
- Temperature: -30...+80 °C
- Dust and water proof control unit
- Colour: black

Wiring diagrams for roof fans

ECo110 FLOW, ECo125 FLOW, ECo160 FLOW, ECo200 FLOW,
ECo190, ECo220, ECo250



Design

1. Connection box
2. Strain relief
3. Terminal strip
4. Potentiometer board

